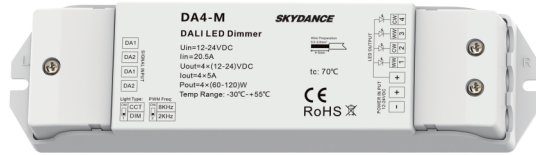


# 4 Channel Constant Voltage DALI LED Dimmer

Model No.: DA4-M

1 Address/4 Channel/Constant voltage/PWM dimming



CE RoHS

## Features

- 4 channel constant voltage DALI LED Dimmer, 5A per channel.
- 1 DALI address, DT6 dimming or DT8-TC color temperature selectable.
- In accordance with DALI standard protocol IEC 62386-102, IEC 62386-207, IEC 62386-209 and in compliance with DALI products from other international incorporation.
- DALI address will be automatically assigned by DALI master.
- PWM digital dimming, standard DALI logarithmic dimming curve.
- PWM Frequency 2000 or 8000Hz selectable.
- Overload / Short circuit protection, recover automatically.

## Technical Parameters

Input and Output	
Input voltage	12-24VDC
Input current	20.5A
Output voltage	12-24VDC
Output current	4CH_5A/CH
Output power	4 x (60-120)W
Output type	Constant voltage

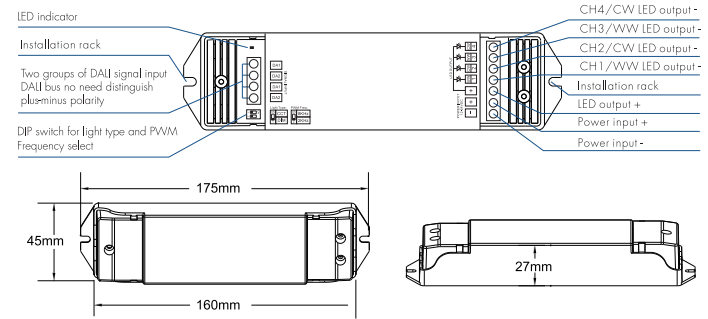
Warranty and Protection	
Warranty	5 years
Protection	Reverse polarity Over-Load Short circuit

Dimming data	
Input signal	DALI
Dimming range	0-100%
Dimming curve	Logarithmic
PWM Frequency	2000/8000Hz

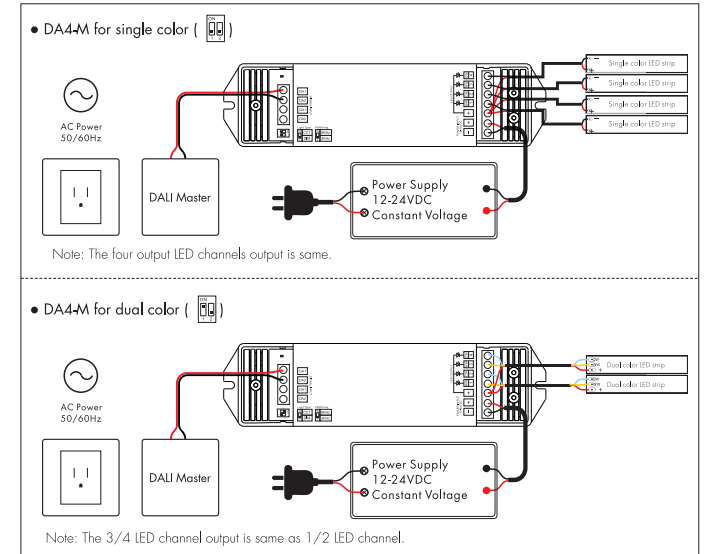
Environment	
Operation temperature	Ta: -30°C ~ +55°C
Case temperature [Max.]	Tc: +85°C
IP rating	IP20

DA4-M 4 Channel Constant Voltage DALI LED Dimmer

## Mechanical Structures and Installations



## Wiring Diagram



## DALI control

This product is designed with 1 DALI address input and 4 channel output, DALI address is assigned by DALI Master controller automatically, please refer to user manuals of compatible DALI Masters for specific operations.

## PWM frequency setting

We can select two PWM frequency: 2kHz or 8kHz.  
Higher PWM frequency, will cause lower output current, higher power noise,  
but more suitable for camera(No flickers for video).

## Safety & Warnings

- DO NOT install with power applied to device.
- DO NOT expose the device to moisture.