

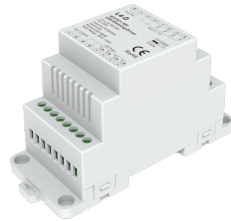
4 Channel 0/1-10V LED Dimming Driver

Model No.: L4-D

0-10V or 1-10V signal input/PWM Constant voltage output/Logarithmic dimming/Push Dim

Features

- 4 channel 0/1-10V LED dimming driver with pushdim function.
- 4 channel 0/1-10V input,
- 4 channel PWM constant voltage output.
- 0~100% dimming range via logarithmic characteristic can be very comfortable for human eyes.
- Compatible with active or passive 0-10V, 1-10V dimmer, can solve the fluorescent lamp dimming system compatible with LED lighting.



FC CE RoHS LVD

Technical Parameters

Input and Output	
Input voltage	12-36VDC
Input current	20.5A
Output voltage	12-36VDC
Output current	4CH, 5A/CH
Output power	4 x (60-180)W
Output type	Constant voltage

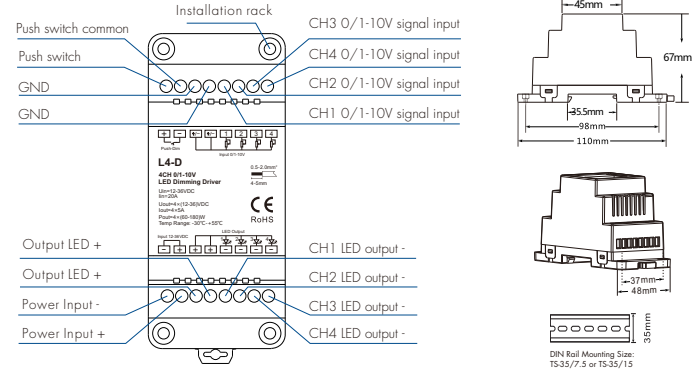
Dimming data	
Input signal	0/1-10V + Push Dim
Dimming range	0-100%
Dimming curve	Logarithmic
PWM Frequency	500Hz

Safety and EMC	
Health	EN 62479:2010
Safety	EN 62368-1:2020+A11:2020
EMC	ETSI EN 301 489-1 V2.2.3
	ETSI EN 301 489-17 V3.2.4

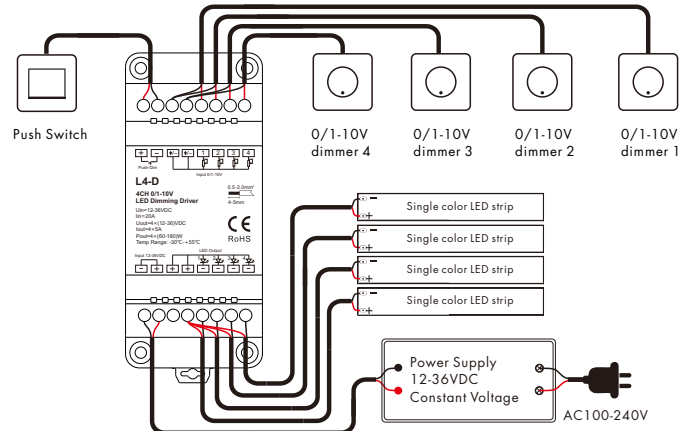
Environment	
Operation temperature	Ta: -30°C ~ +55°C
Case temperature (Max.)	Tc: +85°C
IP rating	IP20

Warranty and Protection	
Warranty	5 years
Protection	Reverse polarity
	Over-heat
	Over-load
	Short circuit

Mechanical Structures and Installations



Wiring Diagram



Note:

- The 0/1-10V input is operable via commercially available simple rotary wall switches designed for 0/1-10V dimming equipment or from dedicated system central dimming controllers.
- Compliant with 0-10V, 1-10V, 10V PWM, RX(4 in 1).
- We recommend the number of LED drivers connected to 0/1-10V dimmer does not exceed 50 pieces, The maximum length of the wires from dimmer to LED driver should be no more than 50 meters.
- If the LED driver be used with Push-Dim interface prior to using the 0/1-10V interface, the 0/1-10 V signal should change over 10% to return 0/1-10 V control.

Push Dim Function

The provided Push-Dim interface allows for a simple dimming method using commercially available non-latching (momentary) wall switches.

- **Short press:**
Turn on or off all 4 channel light.
- **Long press (1-6s):**
Press and hold to step-less dimming, adjust 4 channel brightness at the same time. With every other long press, the light level goes to the opposite direction.
- **Dimming memory:**
Light returns to the previous dimming level when switched off and on again, even at power failure.
- **Synchronization:**
If more than one controller are connected to the same push switch, do a long press for more than 10s, then the system is synchronized and all lights in the group dim up to 100%. This means there is no need for any additional synchrony wire in larger installations. We recommend the number of controllers connected to a push switch does not exceed 25 pieces, The maximum length of the wires from push to controller should be no more than 20 meters.

Dimming Curve

Malfunctions Analysis & Troubleshooting

Malfunctions	Causes	Troubleshooting
No light	1. No power. 2. Wrong connection or insecure.	1. Check the power. 2. Check the connection.
Uneven intensity between front and rear, with voltage drop	1. Output cable is too long. 2. Wire diameter is too small. 3. Overload beyond power supply capability. 4. Overload beyond controller capability.	1. Reduce cable or loop supply. 2. Change wider wire. 3. Replace higher power supply. 4. Add power repeater.

